

EN **SKID PLATE INSTALLATION MANUAL**

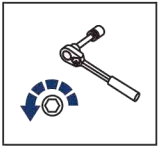
DE **MONTAGEEINLEITUNG FÜR UNTERBODENSCHUTZSYSTEM**



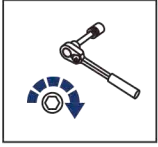
**For: CF Moto Cforce 400S/420S/500S/520S (2016-2021)**

2444.8125.1

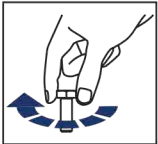




EN Regular fasteners  
DE Originale montageile



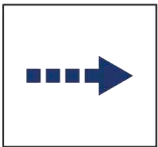
EN Regular fasteners  
DE Originale montageile



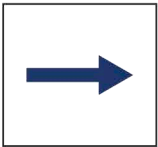
EN Screw a several turns  
DE Für wenigen Umdrehungen befestigen



EN Loosen bolts  
DE Bolzen lockern



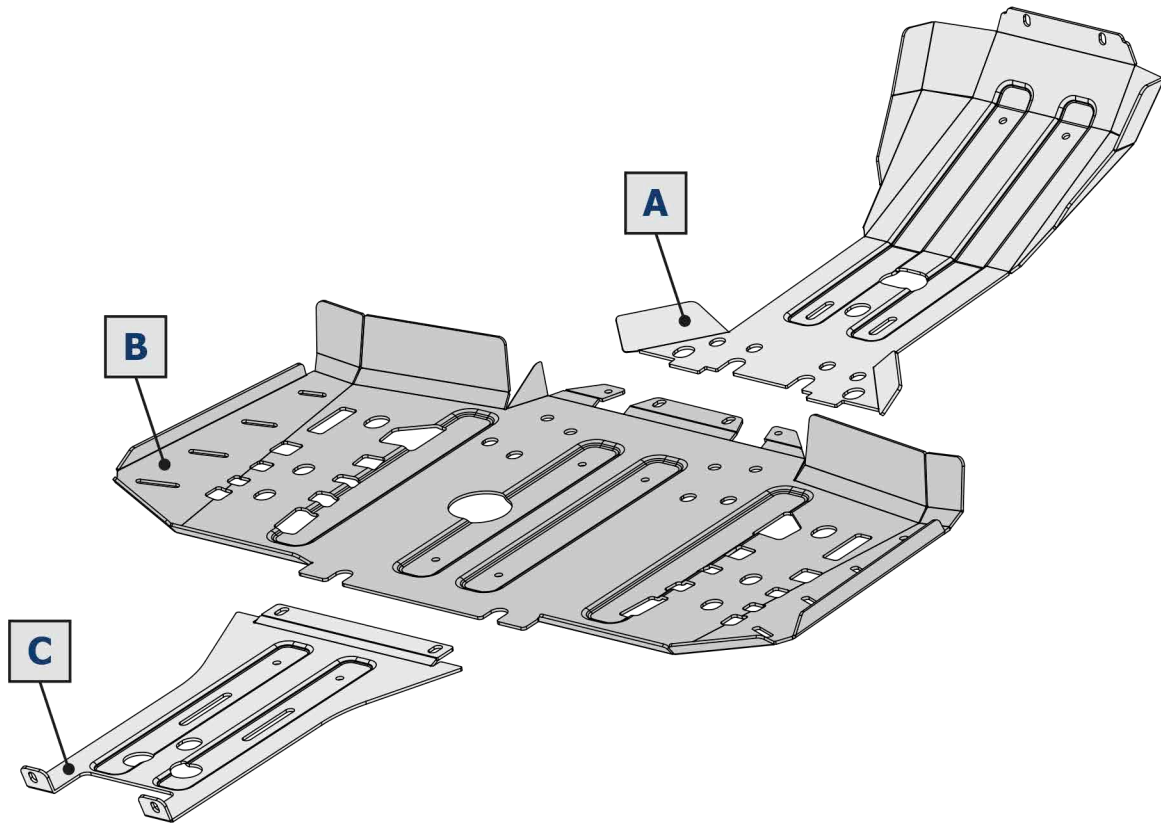
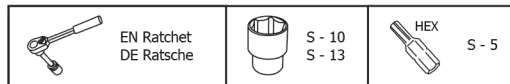
EN Movement Arrow  
DE Bewegungsrichtung

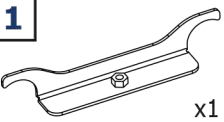
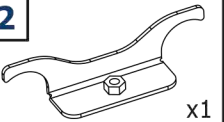
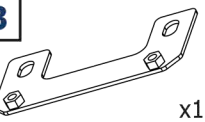
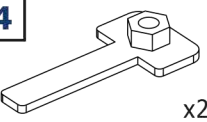
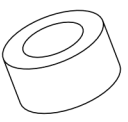
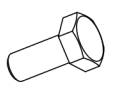
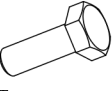
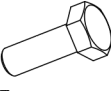
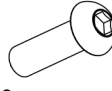






EN Location/Position Arrow  
DE Anordnung/Positionsrichtung

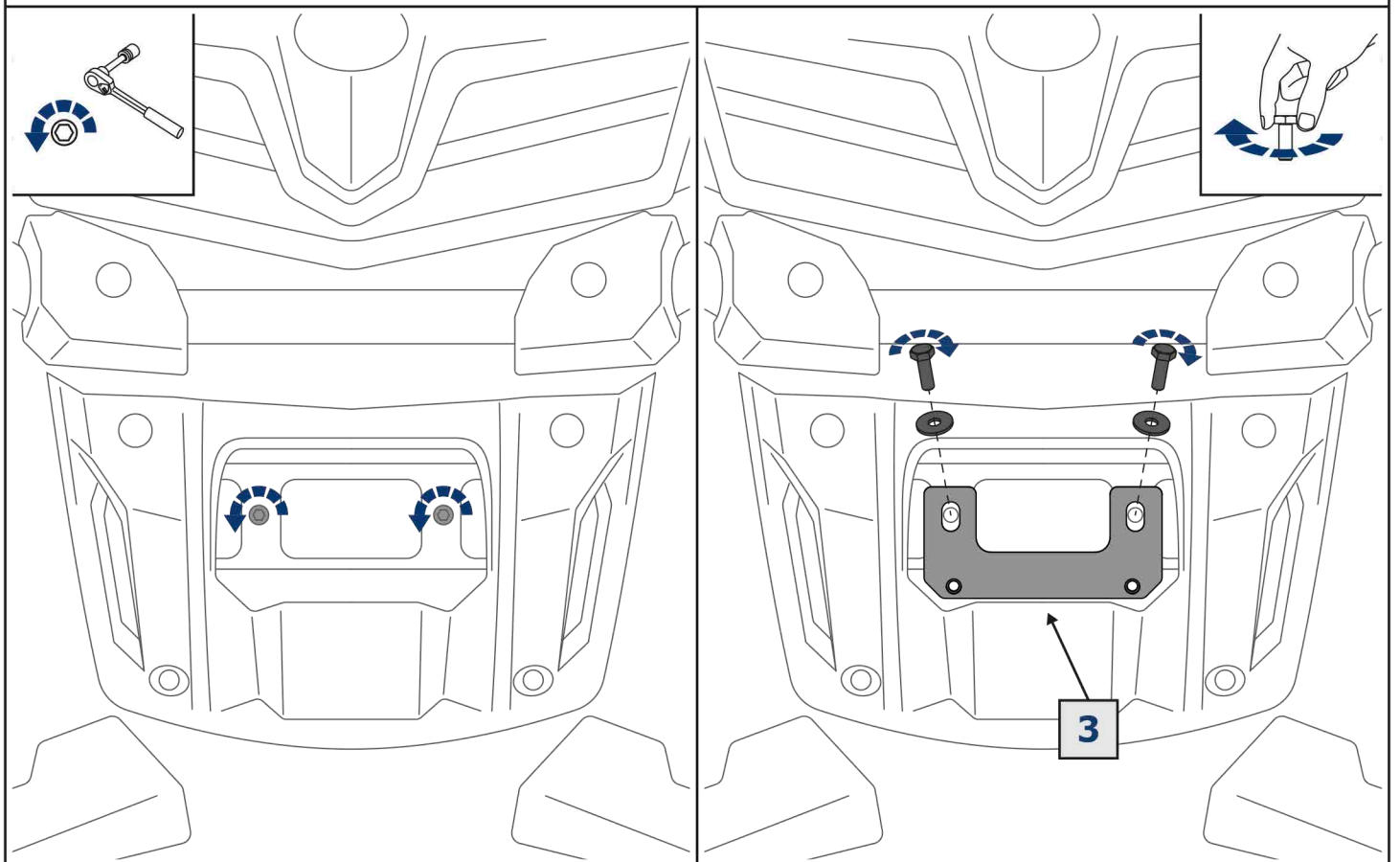
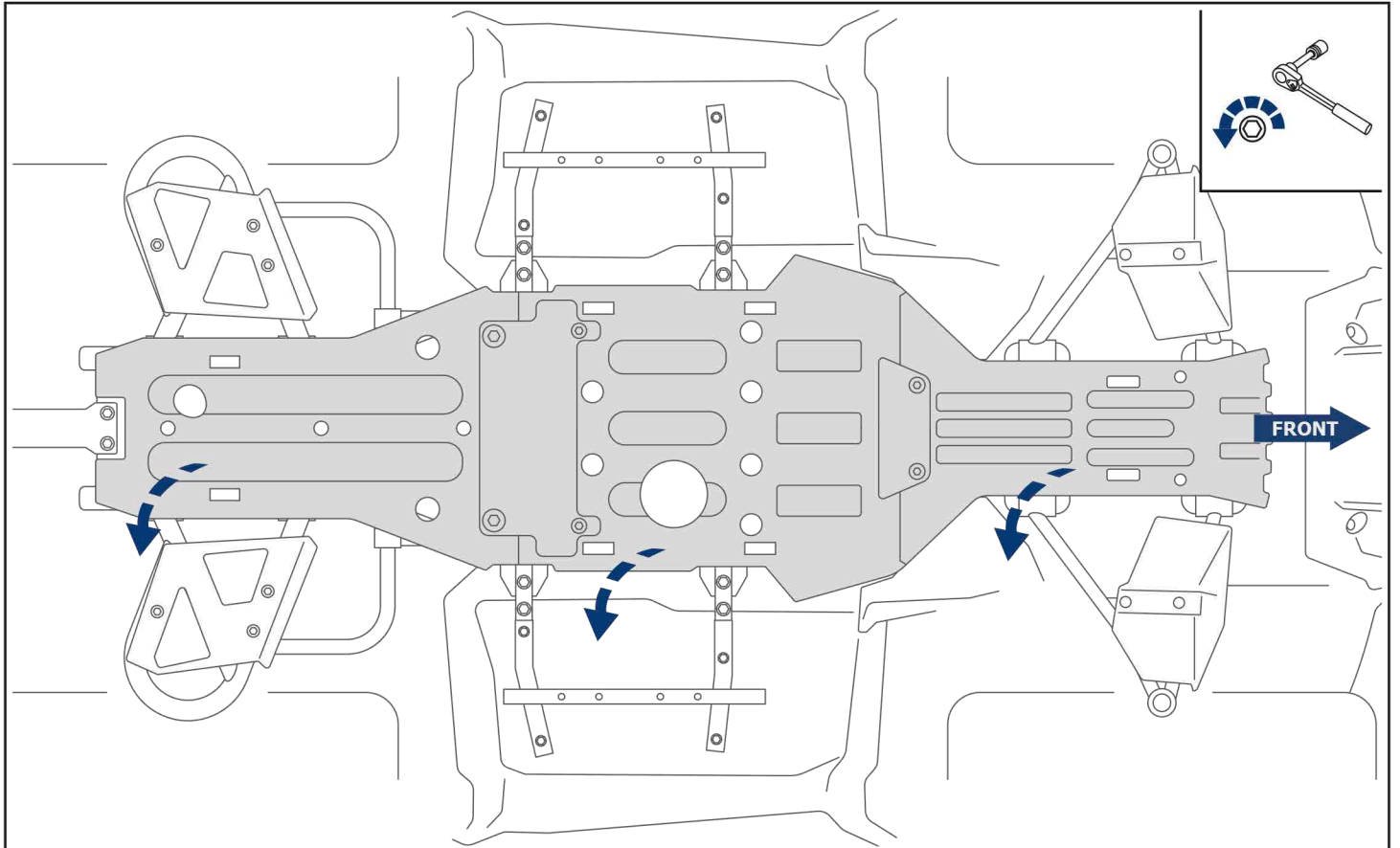


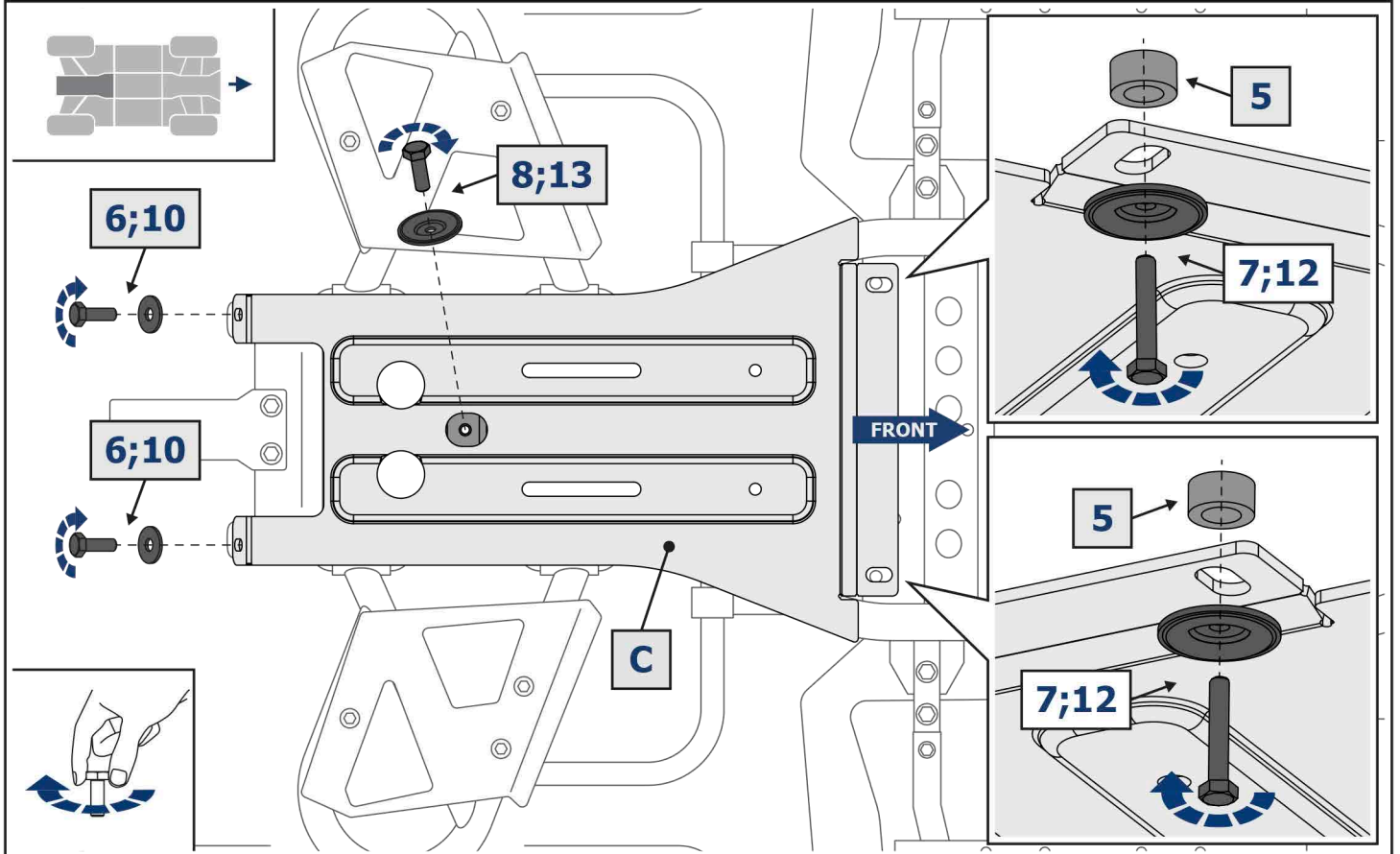
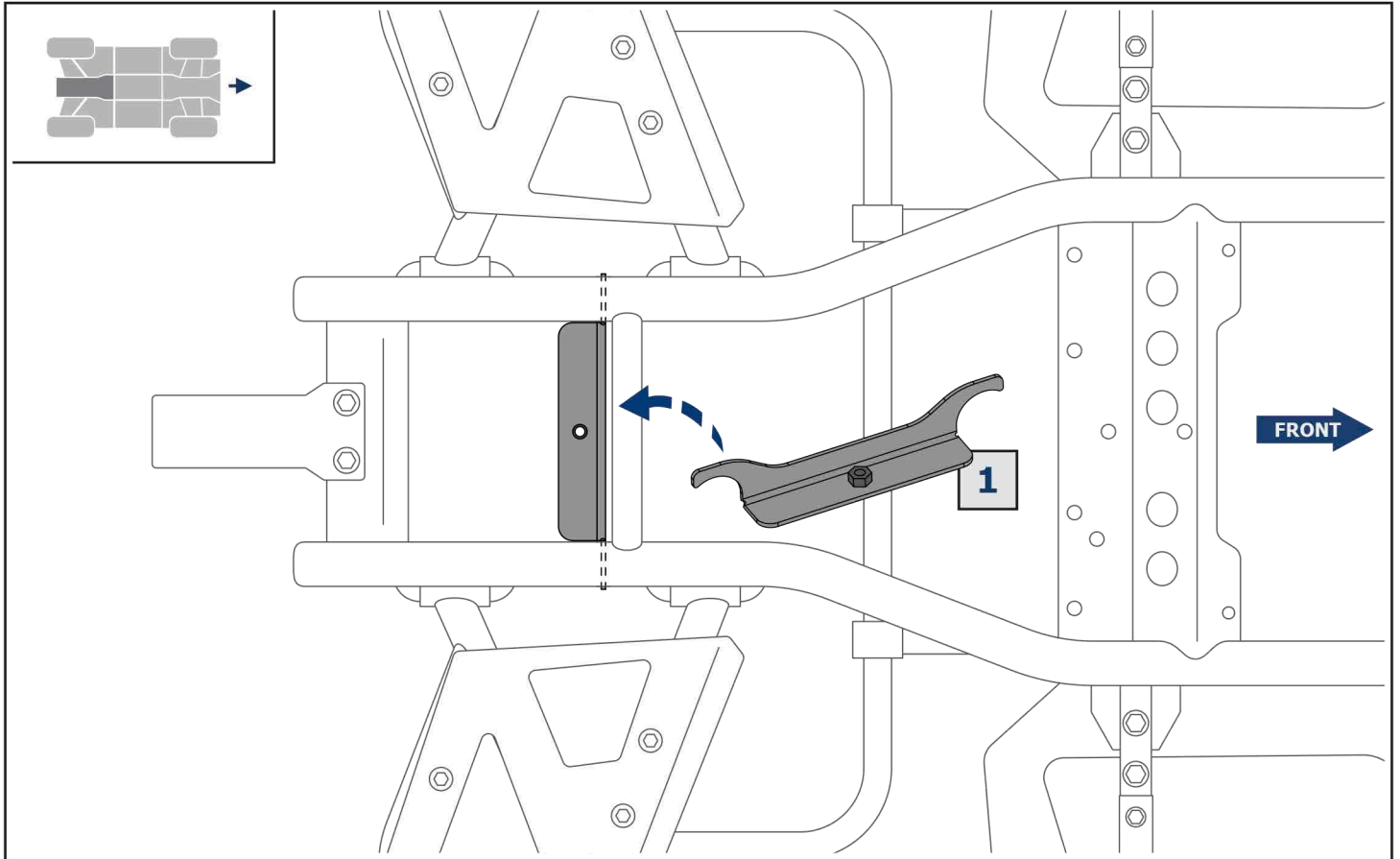
EN Screw Arrow  
DE Drehungsrichtung

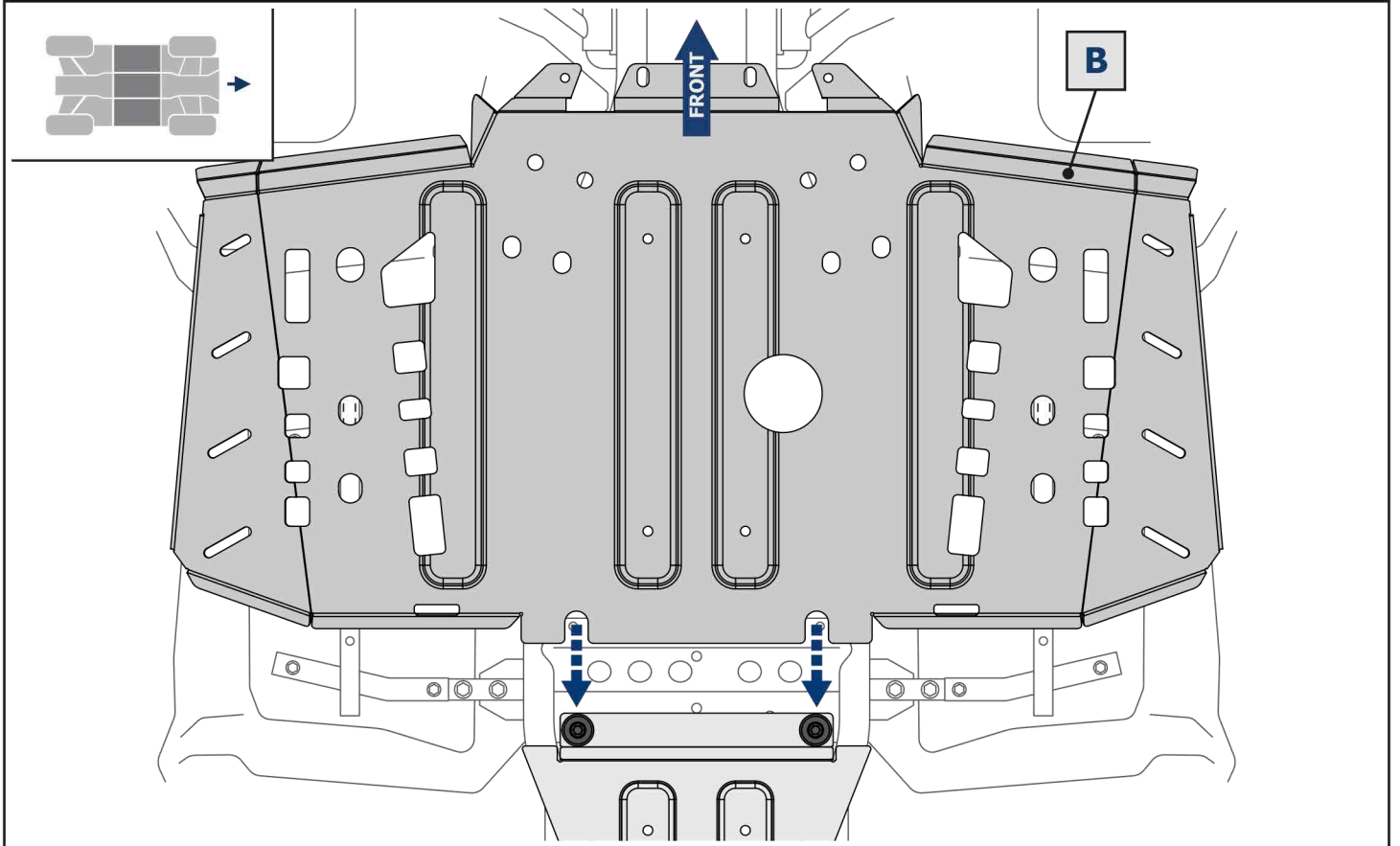
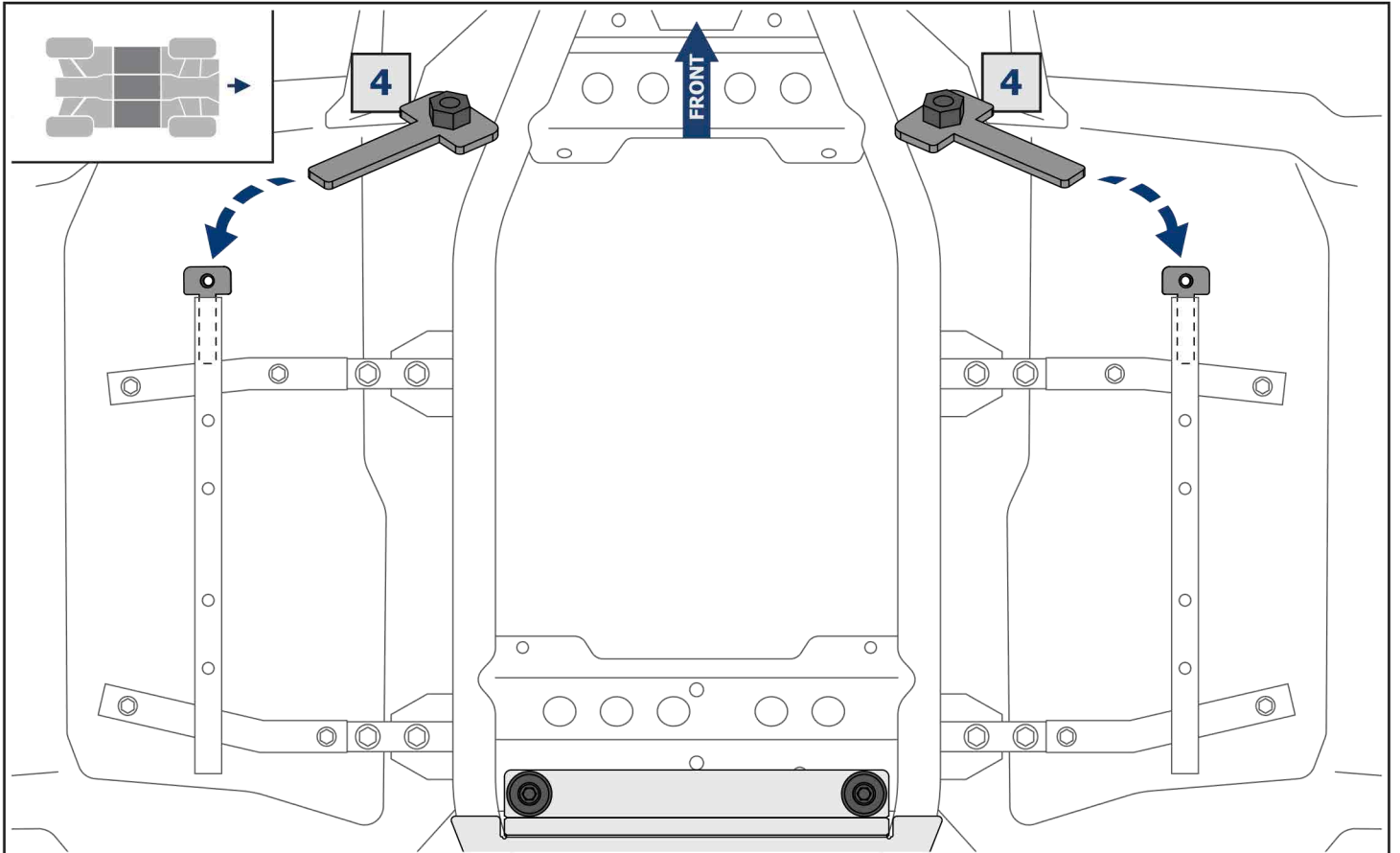


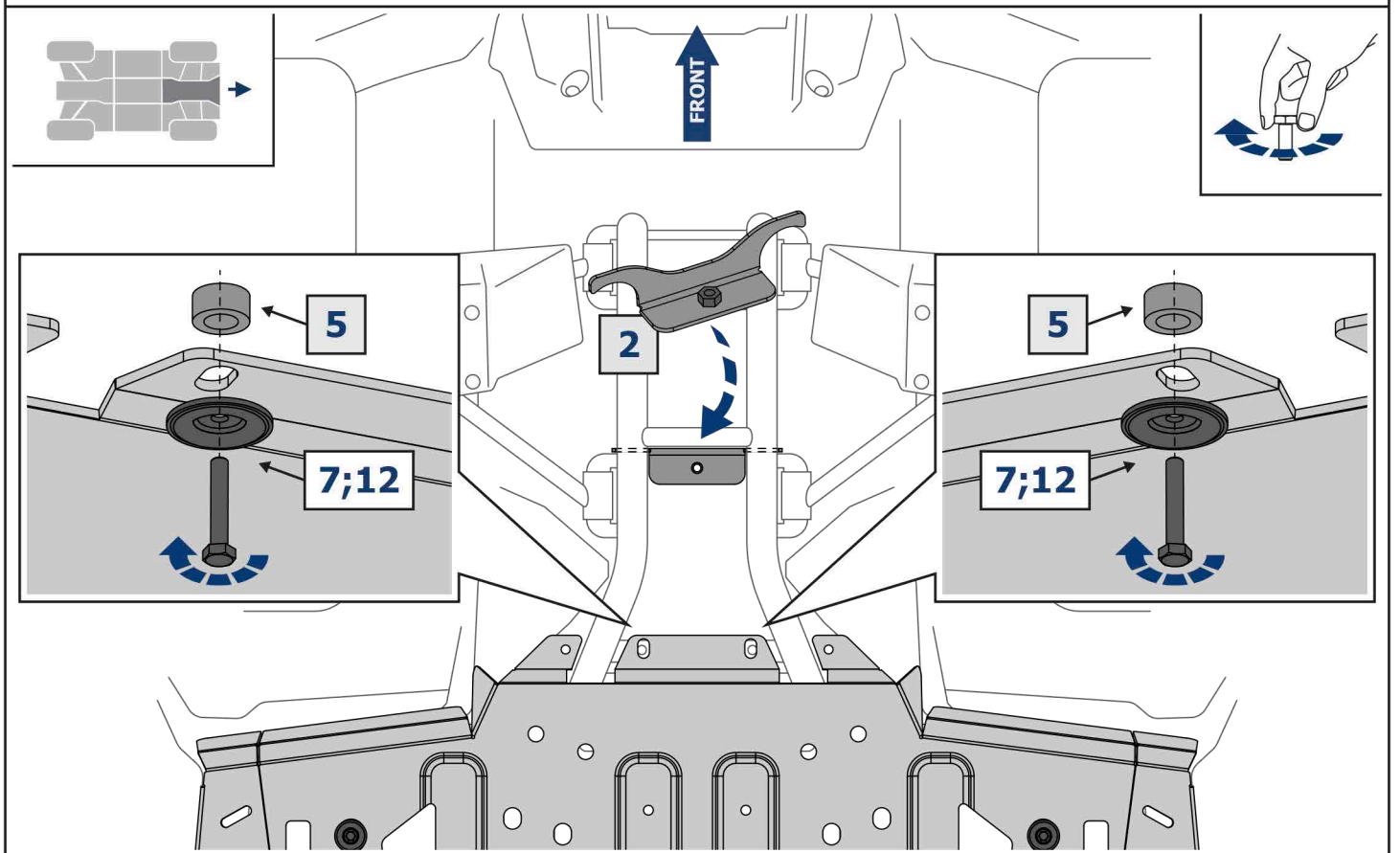
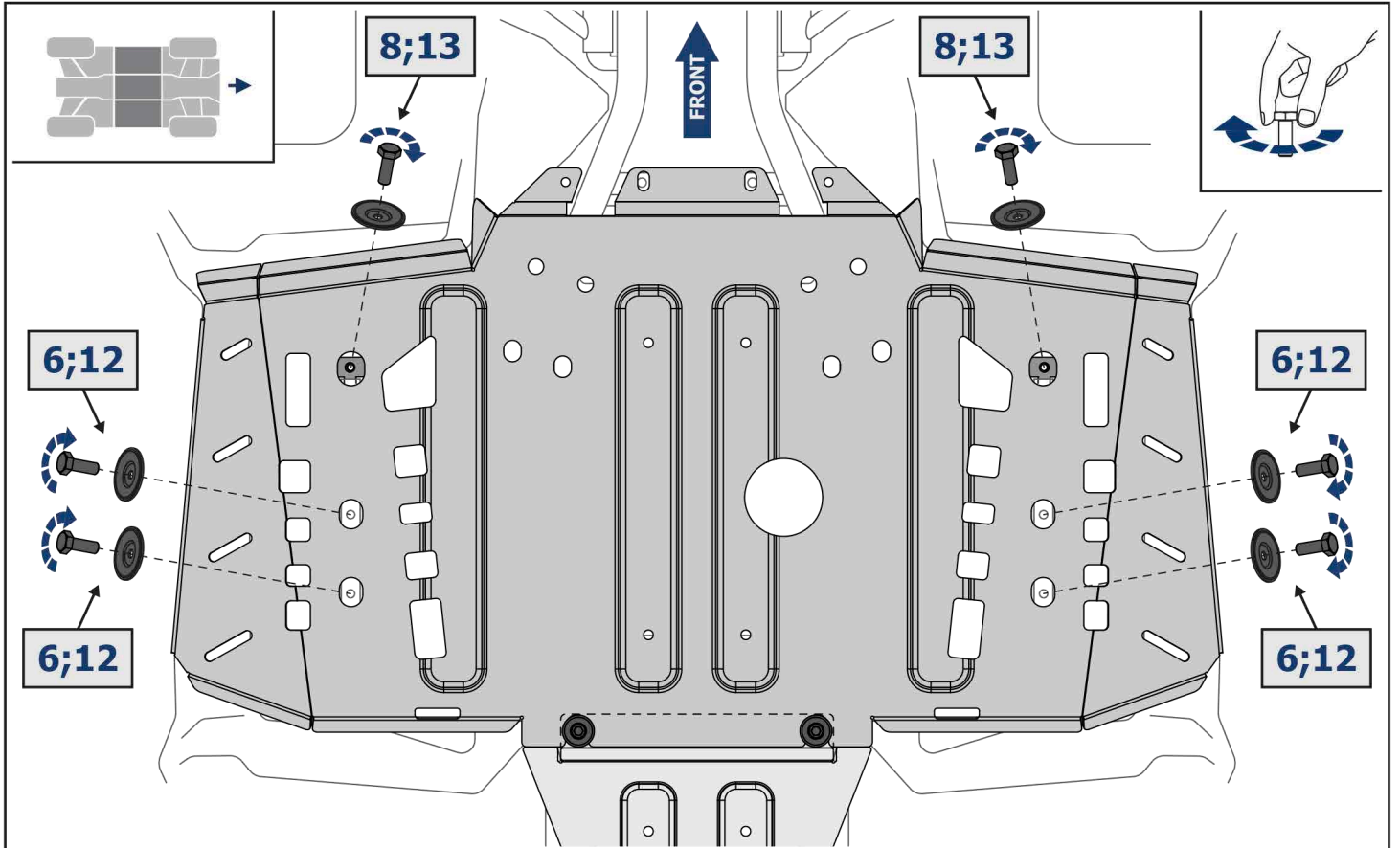
<b>1</b>  x1	<b>2</b>  x1	<b>3</b>  x1	<b>4</b>  x2	<b>5</b>  x4	<b>6</b>  M6x20 x10
<b>7</b>  M6x35 x4	<b>8</b>  M8x25 x4	<b>9</b>  M8x20 x2	<b>10</b>  ø6 x2	<b>11</b>  ø8 x2	<b>12</b>  ø6 x10
<b>13</b>  ø8 x4					

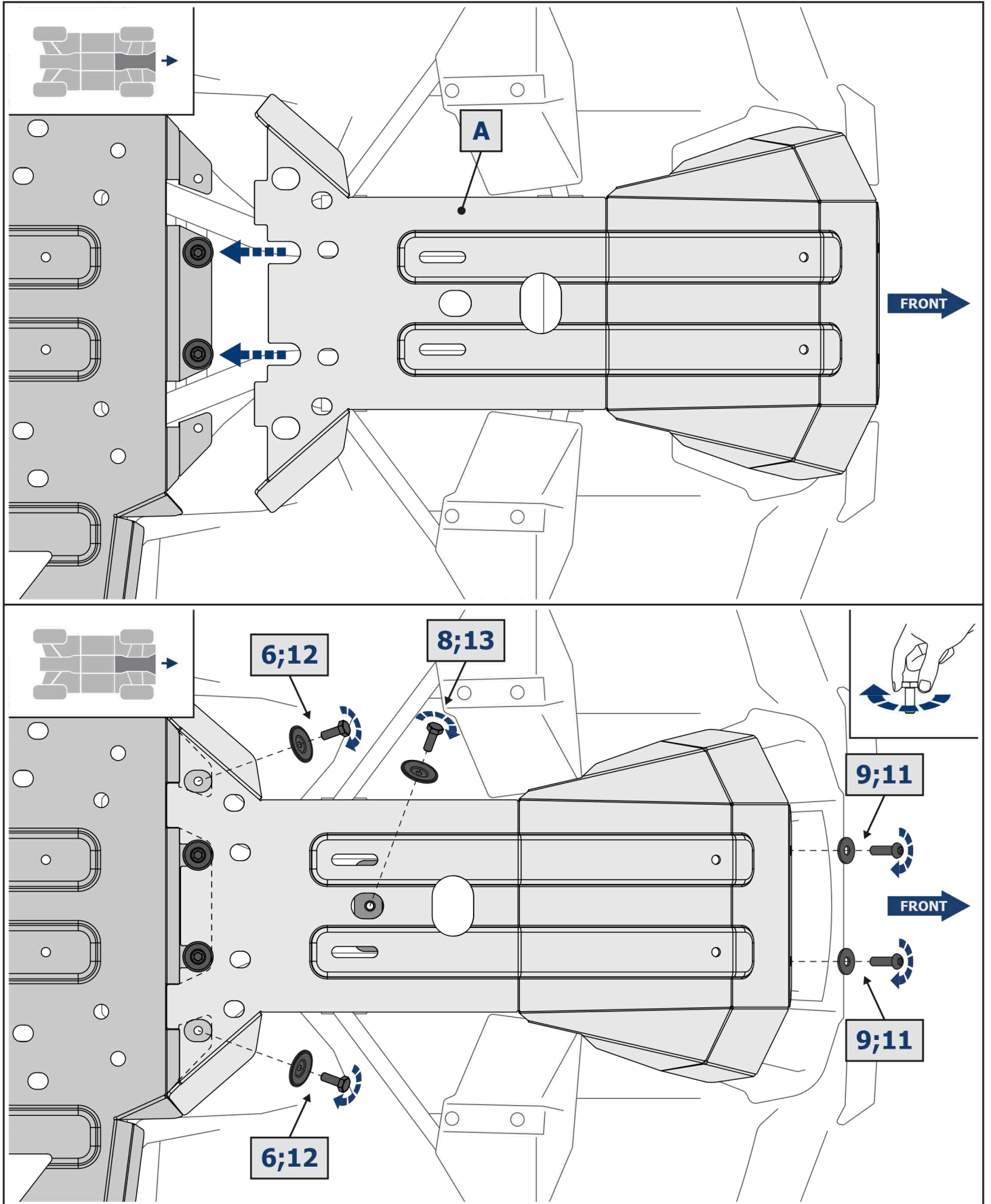
PRE-INSTALLATION: LAY OUT COMPONENTS AND COMPARE TO LIST AND IMAGES. IMAGES MAY NOT PORTRAY THE FULL DETAIL OR EXACT SHAPE OF THE PARTS; HOWEVER, THEY REPRESENT PARTS THAT HAVE SAME OR SIMILAR FUNCTION.



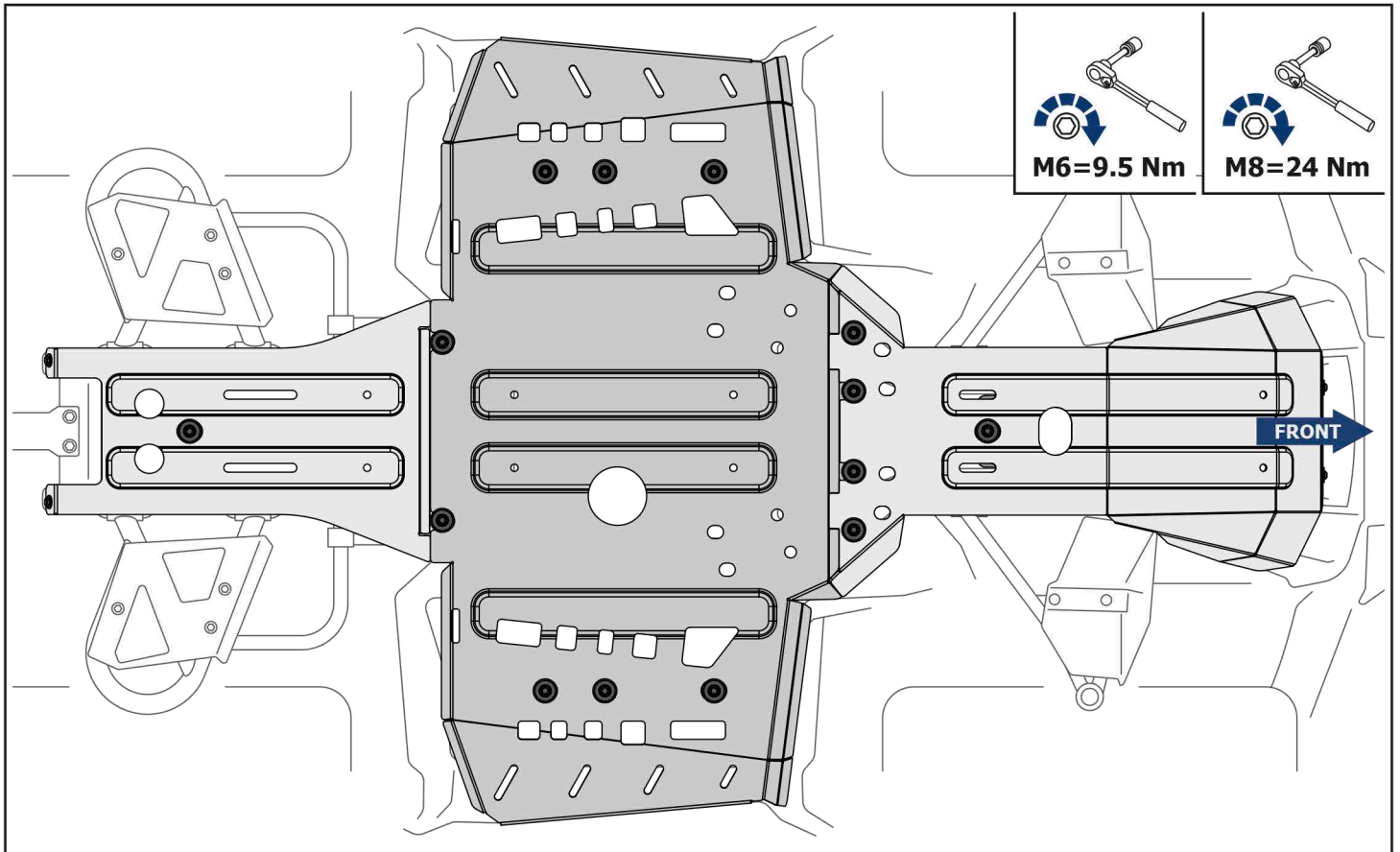












TIP: PERIODICALLY CHECK ALL HARDWARE AND RE-TIGHTEN IF NEEDED.