

EN SKID PLATE INSTALLATION MANUAL

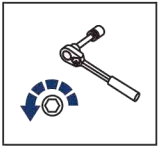
DE MONTAGEEINLEITUNG FÜR UNTERBODENSCHUTZSYSTEM



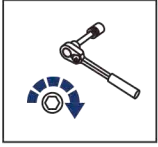
For: Kawasaki Mule PRO DX/DXT/FX/FXT (2016-2022)

2444.6923.1

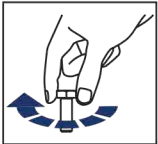




EN Regular fasteners
DE Originale montageile



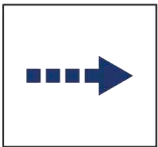
EN Regular fasteners
DE Originale montageile



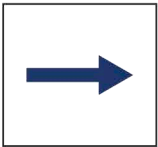
EN Screw a several turns
DE Für wenigen Umdrehungen befestigen



EN Loosen bolts
DE Bolzen lockern



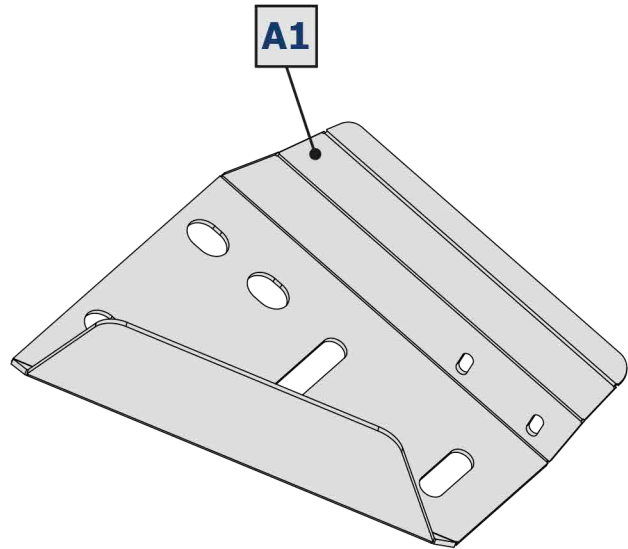
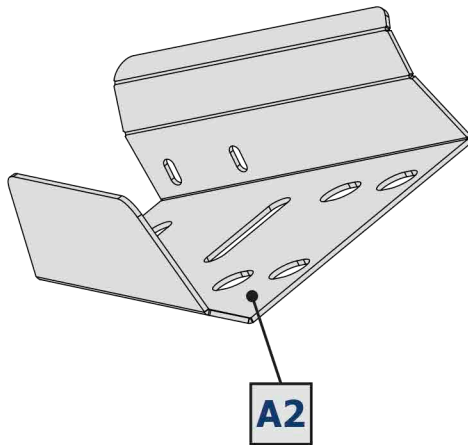
EN Movement Arrow
DE Bewegungsrichtung

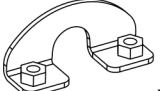
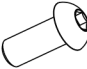





EN Location/Position Arrow
DE Anordnung/Positionsrichtung



EN Screw Arrow
DE Drehungsrichtung



| | | | | | | | | | | | | | | | | | | |
|----------|---|----|----------|---|-------|----|----------|---|-------|----|----------|---|----|----|----------|---|----|----|
| 1 |  | x4 | 2 |  | M6x20 | x4 | 3 |  | M8x25 | x8 | 4 |  | ø6 | x4 | 5 |  | ø8 | x8 |
|----------|---|----|----------|---|-------|----|----------|---|-------|----|----------|---|----|----|----------|---|----|----|

PRE-INSTALLATION: LAY OUT COMPONENTS AND COMPARE TO LIST AND IMAGES. IMAGES MAY NOT PORTRAY THE FULL DETAIL OR EXACT SHAPE OF THE PARTS; HOWEVER, THEY REPRESENT PARTS THAT HAVE SAME OR SIMILAR FUNCTION.

